



东莞市滑翔世界电子科技有限公司

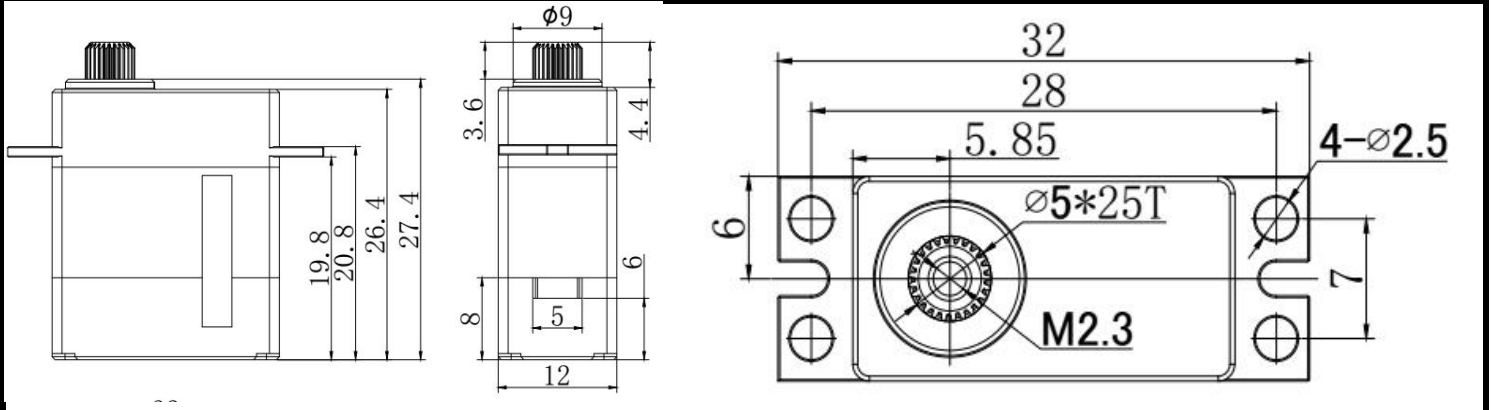
Dongguan City Gliding World Electronic Technology Co., Ltd

Address: Changping Town, Dongguan City, China on pit road No:92 Second floor

Tel: +86-15017035700 http://www.gdwservo.com E-mail: duncan@gdwservo.com

## DS296X规格书 General Specs

<b>Operation Voltage Range 电压范围</b>	4.8V up to 8.4 V
<b>Operation Temperature Range 适应温度</b>	-20C° up to +60C°
<b>Working frequency 工作频率</b>	1520us/333Hz



## 测试参数 Bench tests reported values

电压 Test Voltage	6.0V	7.4V	8.4V
速度 Speed	0.11sec/60°	0.10sec/60°	0.09sec/60°
扭力 Torque	7.8Kg. cm	9Kg. cm	10Kg. cm
Fast continuous operating current 快速持续工作电流	400mA	500mA	600mA
堵转电流 Stall current	1500mA	2000mA	2400mA
死区 Dead Band Width	<b>3μ</b>		

## 一般数据 General Data

电机型号 Motor Type	空心杯电机 Coreless motor 12*15mm
电位器类型 Potentiometer Type	日本noble 220° Japan noble 220°
芯片类型 Chip type	数字 Digital
重量 Weight	20 ±1g
齿轮组材质 Gear Material	钢齿轮
输出齿数 Horn Gear Spline	25T φ 4.93mm
线长 Wire length	220 ±5mm/600±5mm
线径 Wire Diameter	0.15mm <sup>2</sup>
线芯数量 Number of wire cores	30